

ULTRA SEAM - PERIMETER EDGING SYSTEMS

GS SERIES GRAVEL STOP

The IBC building code requires that all low slope roofing systems (built up asphalt, single ply, modified, etc.) use perimeter metal details that have tested according to the ANSI / SPRI ES-1 testing procedure. This applies to copings, gravel stops, and metal edgings. Most states have adopted the provisions of the IBC building code. ULTRA SEAM has developed a line of coping, gravel stops, and edging that have been tested in both aluminum and steel options. We have standard and snap lok versions of each type of trim.

ES-1 TESTED!

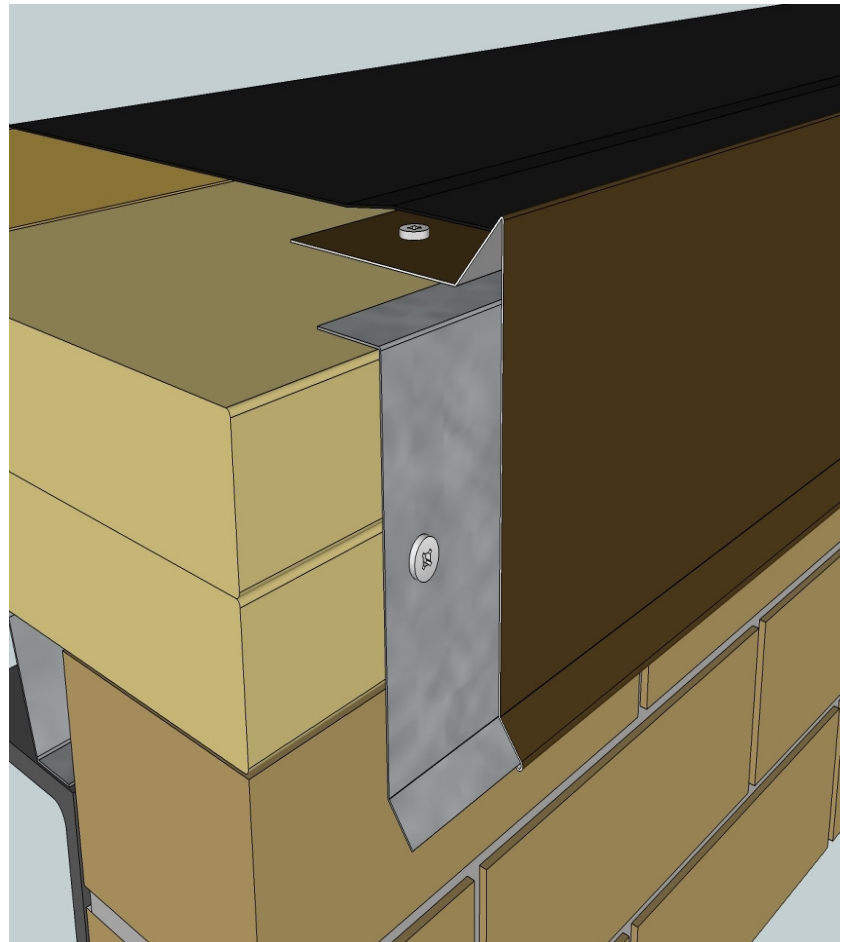
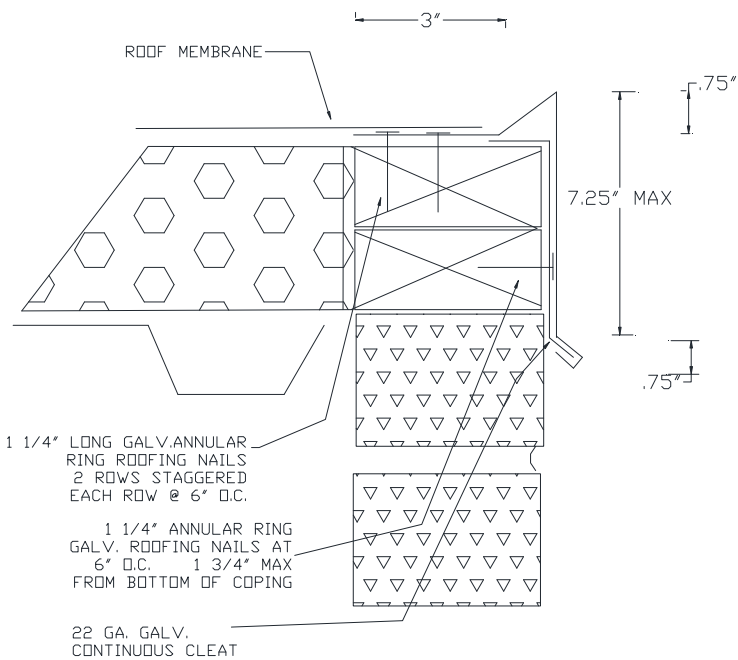
THE STANDARD STYLE GRAVEL STOP (GS SERIES) HAS A FAST AND SIMPLE INSTALLATION PROCEDURE . THIS SYTEM IS UTILIZED WITH ASPHALT AND MODIFIED SYSTEMS THAT WILL SEAL TO THE FLANGE,

Manufactured by

Ultra Seam
Metal Roofing &
Siding Systems

1-800-USI-SEAM
(874-7326)

www.ultraseam.com



GS SERIES (GRAVEL-STOP STANDARD) GRAVEL STOPS ARE AVAILABLE IN VARIOUS METALS. THEY ARE ES-1 TESTED IN 24 GA. STEEL AND .040 ALUMINUM. MAXIMUM TESTED FACE SIZE IS 8" . CALL ULTRA SEAM FOR